

MODEL 5100

ROTECH BALL CHECK VALVE (FLANGED)

Size: - 2" to 12"

Max. Temp. : - 90°C

Working Pressure: - 145 PSI

The ball check valve has flanged ends and works vertically or horizontally.



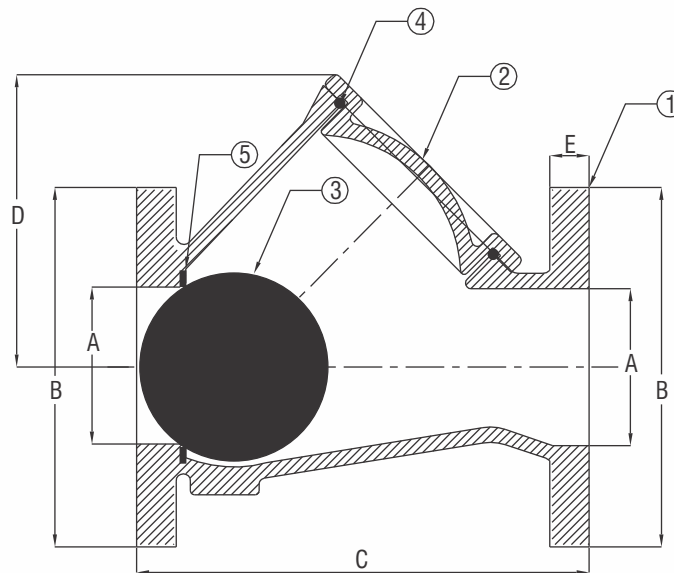
MATERIAL OF CONSTRUCTION

PART	DESCRIPTION	STANDARD	SPECIAL
1	Body	Ductile Iron	Stainless Steel, Cast Steel
2	Cover	Ductile Iron	Stainless Steel, Cast Steel
3	Ball	Nitrile Reinforced	EPDM, Neoprene
4	Cover Ring	Nitrile Rubber	Butyle, Viton
5	Ball Seal Ring	O-Ring / Rubber Bronze Seat	Stainless Steel Hard Rub
6	Fastener	Carbon Steel	Stainless Steel

DIMENSION

SIZE	PART NO.	A	B	C	D	E	WT. (LBS)
2"	5152	2"	6.496	7.874	7.087	0.63	18
2-1/2"	51525	2-1/2"	7.283	9.449	8.268	0.63	26
3"	5153	3"	7.874	10.236	9.055	0.748	36
4"	5154	4"	8.661	11.811	11.023	0.787	57
5"	5155	5"	9.842	13.78	13.385	0.827	92
6"	5156	6"	11.22	15.748	15.748	0.827	128
8"	5158	8"	13.386	19.685	19.685	0.866	220
10"	5160	10"	15.551	23.622	22.441	0.945	374
12"	5162	12"	17.52	27.56	26.772	0.984	440

CROSS SECTION



"A Trusted Partner in Pump Solutions"

1320 Britannia Road East
Mississauga, Ontario, Canada. L4W 1C8

Phone: (905) 461-9617 | Fax: (905) 461-9618
Toll Free: 1-866-217-PUMP (7867)

Email: sales@rotechpumps.com | www.rotechpumps.com